

Series 950

Bigger performance, smaller presence.

The Series 950 changes everything.



The new Series 950 changes everything. It provides the ease-of-use of an InVue POD with a stand that's smaller than line alarm. Its compact size, lightweight open-air cable and small sensors delivers an unmatched customer experience. Further, it installs in seconds, is simple to remerchandise and maintain, and is scalable in its security options.

Series 950

Easiest to use. Installs in under 60 seconds.

- 1 Gold is Good AP sensor LED clearly indicates armed status
- 2 Sensor cables are designed to allow easy daily merchandise removal
- 3 IR interface is easily accessible above the counter



Features

- › Backup battery with low battery indicator
- › Low audible alarm sounds if merchandise is removed, cables are cut or display stand is moved
- › Optional screw mounting kit and steel bracket arms allow for scalable security
- › ybuy compatibility is standard

Series 950

Unmatched customer experience.

- 1 “Open air” cable allows customers to experience the true weight and feel of the merchandise
- 2 4-way perfect placement ensures that merchandise is always displayed in the optimum viewing position
- 3 Small stand beautifully showcases the merchandise



Series 950

Scalable security to meet the needs of each store.

Level 1: Friction fit AP Sensor alarms and powers, is it difficult to remove and helps eliminate false alarms

Level 2: Add adjustable metal bracket arms for a higher level of security

Optional Mounting Kit: Allows stand to be screwed to the counter



LEVEL 1
AP Sensor



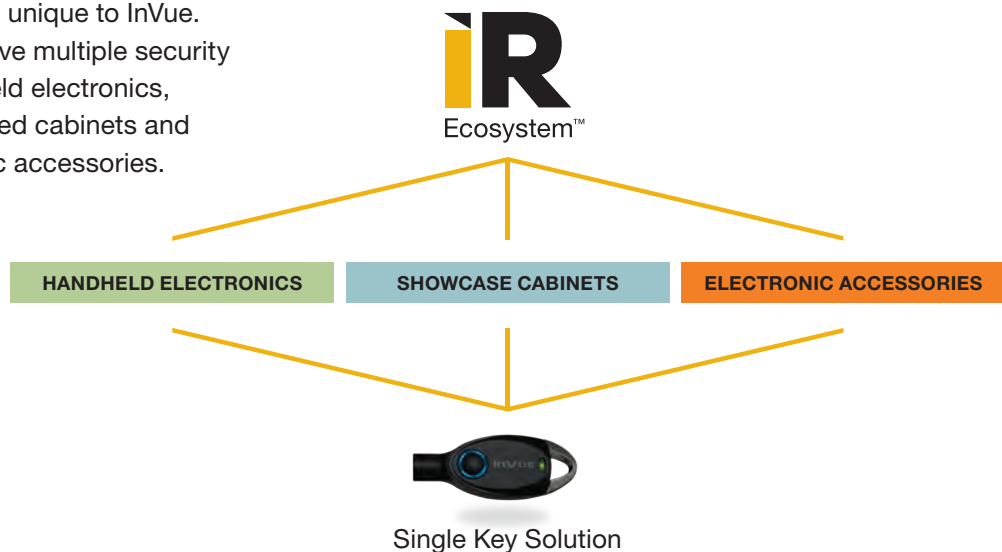
LEVEL 2
AP Sensor +
Adjustable Bracket Arms



Optional Mounting Kit
Screw down mounting kit

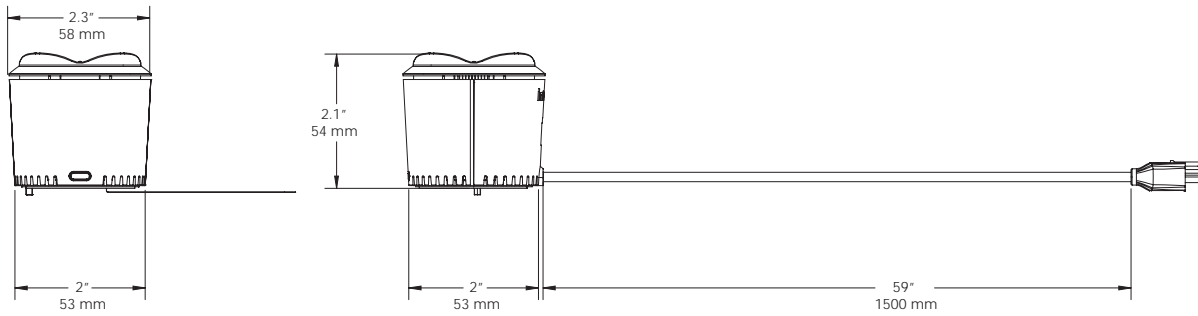
One Key. Multiple Solutions.

The IR Ecosystem is unique to InVue. With one key you have multiple security solutions for handheld electronics, merchandise in locked cabinets and high-value electronic accessories.

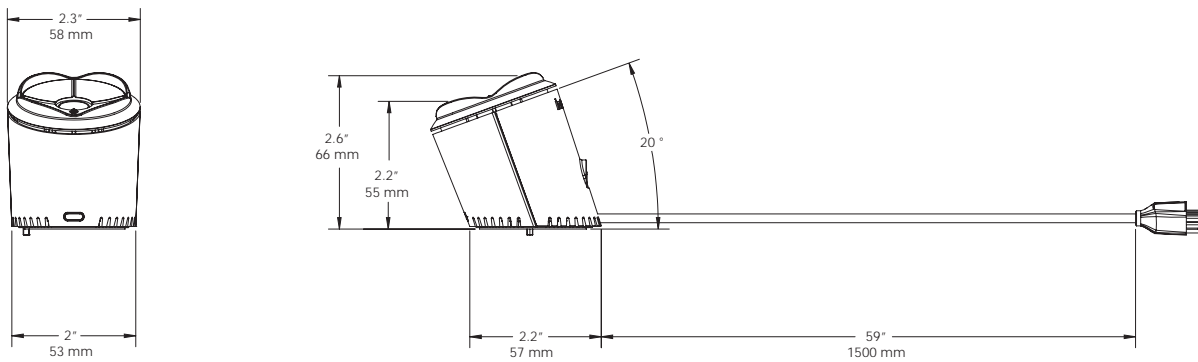


Series 950

Tablet Puck, Flat (EC95003):



Tablet Puck, Angled (EC95004):



Series 950

Tablet Sensor (EC95203):

