

Series 950 Camera

Bigger performance, smaller presence.

The Series 950 changes everything.



The new Series 950 Camera changes everything. It provides the ease-of-use of an InVue POD with a stand that's smaller than line alarm. Its compact size, lightweight open-air cable and small sensors delivers an unmatched customer experience. The 950 installs in seconds, is simple to remerchandise and is easy to maintain.

Series 950 Camera

Above counter system designed exclusively for cameras.

- 1** “Gold is Good” AP sensor LED clearly indicates armed status
- 2** Open Air sensor cable is designed to allow easy daily merchandise removal
- 3** IR interface is easily accessible above the counter



Features

- › Backup battery with low battery indicator
- › Low audible alarm sounds if merchandise is removed, cables are cut or display stand is moved
- › Adjustable lens stand (optional for DSLR only) lends support for heavy camera lenses
- › Digital signage compatible

Series 950 Camera

Unmatched customer experience.

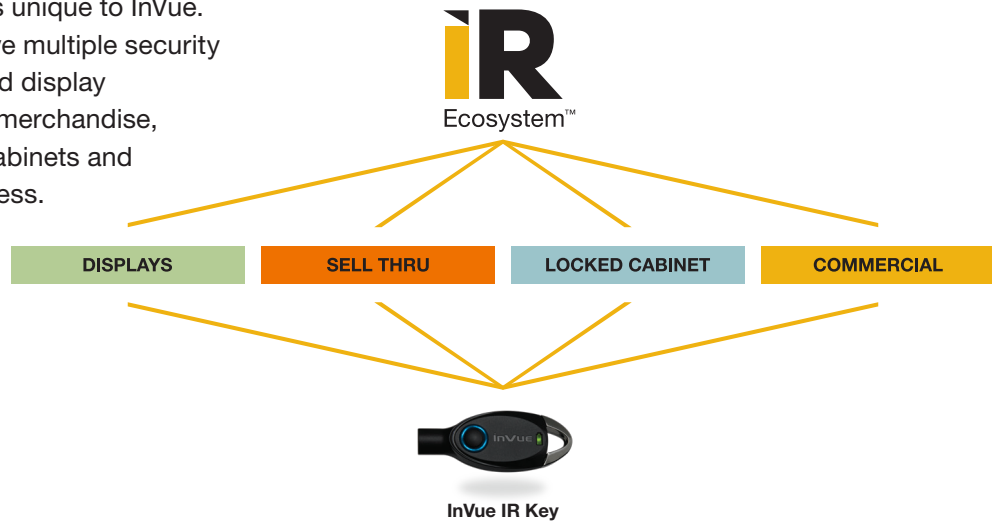
- 1 “Open air” cable allows customers to experience the true weight and feel of the merchandise
- 2 Stand assures camera is always displayed in the optimum display position
- 3 Small stand beautifully showcases the merchandise



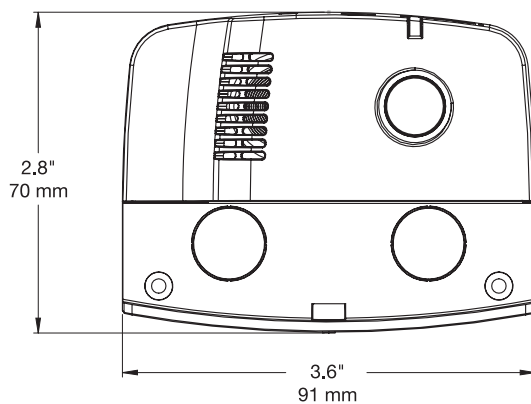
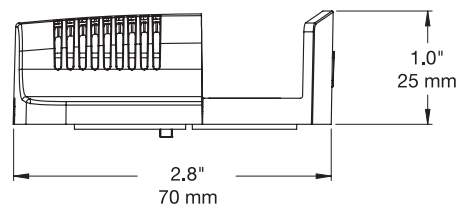
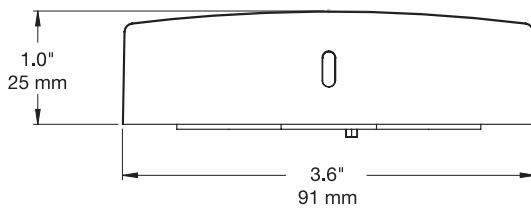
Series 950 Camera

One key. Multiple solutions.

The IR Ecosystem™ is unique to InVue. With one key you have multiple security solutions for handheld display electronics, sell thru merchandise, products in locked cabinets and tablets used in business.

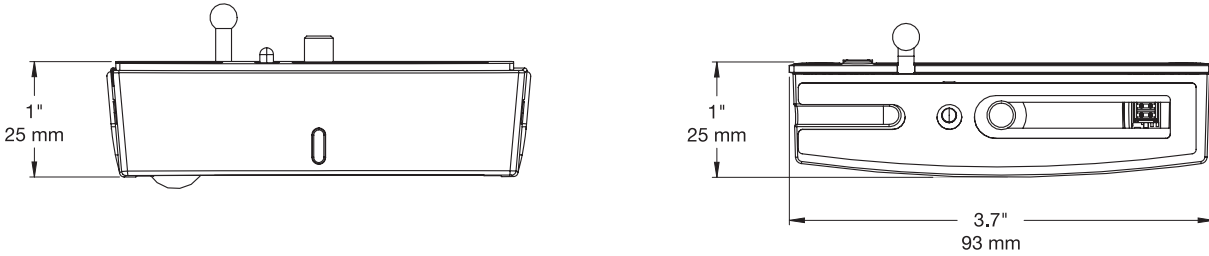


Camera Alarm Unit (EC95005):

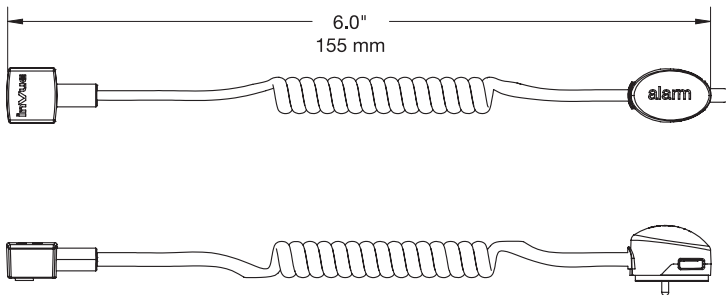


Series 950 Camera

Camera Sensor (EC95210):



Lens Sensor (EC95211):



Lens Stand (ZA2500):

